



Engineered For Solar

SOLAX POWER—DIVISION OF SUNTELLITE GROUP

Research & Development Centre

Address Room 220, West, Building A, National University Science and Technology Park of Zhejiang University, 525, Xixi Rd, Hangzhou, Zhejiang Province, China, 310007

Tel +86(571)-56260011
Fax +86(571)-56075753
Email info@solaxpower.com

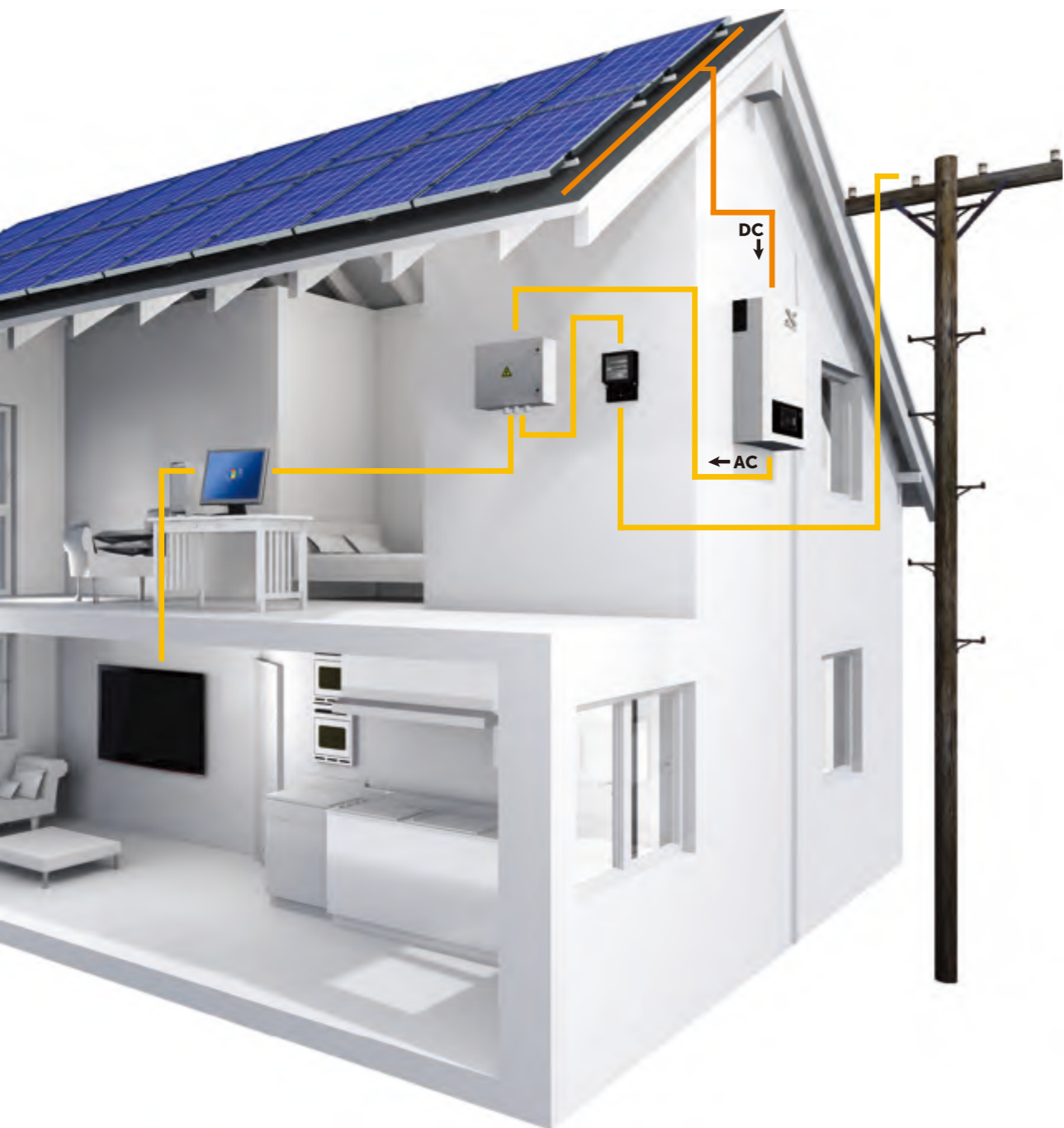
Manufacture

Address 288, Shizhu Rd, Tonglu Economic Development Zone, Dongxing District, Tonglu, Zhejiang Province, China, 311500

Copyright 2015 Suntellite. All rights reserved. Specifications subject to change without notice.(V4)



SolaX Inverter
PRODUCT BROCHURE



THE SOLAX INVERTER

The solar inverter is a critical technological component that is the heart of any PV plant. A solar inverter or PV inverter, converts the variable direct current (DC) output of a photovoltaic (PV) solar panel into a utility frequency alternating current (AC) that can be stored or fed into a commercial electrical grid, allowing the use of ordinary commercial appliances. At SolaX we are creating the inverters for tomorrow.





Our state-of-the-art facilities include an SMT machine, automatic plug in line and our TÜV testing laboratory.

ABOUT SOLAX POWER

A division of the Suntellite Group, our vision is to be a world leader in the development, production and sales of inverters that incorporate innovative technologies and state of the art capabilities, providing our customers the power to harvest green energy.

To create this technology we have employed more than 80 professors and senior engineers at our state of the art 240,000m² production facility, that boasts over USD\$20,000,000 of investment in professional equipment, including our SMT machine, automatic plug in line and our TÜV testing laboratory. A company lead by innovation that is based on research, SolaX Power is proud to be affiliated with the Zhejiang University, currently ranked third amongst the best universities in China and home to the only national key silicon material laboratories

With this level of investment and innovation, SolaX products are designed, tested and manufactured to the highest global standards. Proudly supported by 16 international offices with 24-hour, 7 days per week online service, our products are exported to 47 countries via 200 distribution channels. SolaX products come with international module certifications such as TÜV, CE, SAA, UL, MCS, ROHS and inverter certificates, VDE, SAA, EN50438, G83, G59, C10/11.

As a brand committed to the responsibility of "planting a greener future" for you and your family, we have built a world class production facility with a leading professional research and development team. Our commitment is to supply to our customers a more advanced, reliable, safer and cost-effective range of PV products and energy system solutions, that are engineered to meet the world's growing energy demands.



GREENER FUTURE
GLOBAL STANDARDS
INNOVATIVE TECHNOLOGIES



USE ENERGY, STORE IT, OR FEED IT INTO THE GRID, IT IS NOW POSSIBLE WITH X-HYBRID.

Achieve your independence from traditional power providers considering the intelligent SolaX Hybrid Series with charger.

As we know , Solar panels generate the most energy during the day when the sun is shining and when you and your family tend to use the least energy or have the lowest consumption levels.

With ongoing increases in energy prices and the continual decrease of the feed-in tariff , you must make the most out of your solar energy. Our X-Hybrid Energy Storage System is the perfect solution to solve this problem and to get the most out of your solar energy both today and into the future. Our Hybrid solution makes it possible to utilise solar power time-independently by storing unused capacity. It converts and directs solar power to where it is needed , when it is needed.

Main Features:

- An enlarged internal charger, multiple external charger size for choice
- EPS (Emergency Power Supply) function
- Low consumption mode at night
- Support external alarm system
- Anti-battery polarity reverse and anti-current surge
- Battery awakening function
- Battery temperature protection
- WIFI/Cable monitoring
- Firmware upgrading via ethernet port



SK-TL3000/SK-TL3700/SK-TL5000 (E) BUILT-IN CHARGER

X-Hybrid Ready Inverter

SK-TL3000 / SK-TL3700 / SK-TL5000 (E)

Prepare for energy independence by using this premium quality hybrid ready inverter. This unit gives you the opportunity to monitor property loads over time and evaluate your energy usage patterns.



SK-SU3000/SK-SU3700/SK-SU5000 (E)

X-Hybrid Inverter

SK-SU3000 / SK-SU3700 / SK-SU5000 (E)

The SU series of hybrid inverter includes 1 built-in battery manager unit and solar MPPT. This intelligent hybrid inverter provides a full solution for energy consumers to maximize the use of their generated solar energy and minimize their energy bills.

Emergency Power Supply
Power your home during grid outage

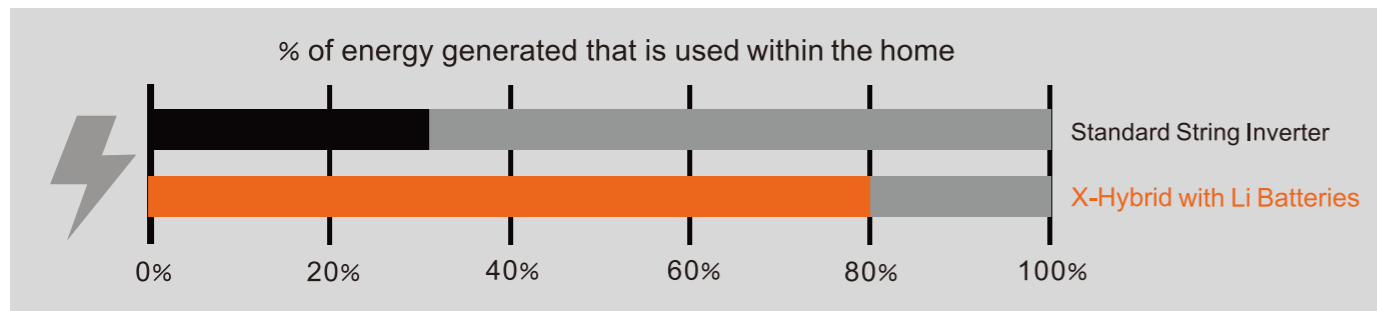
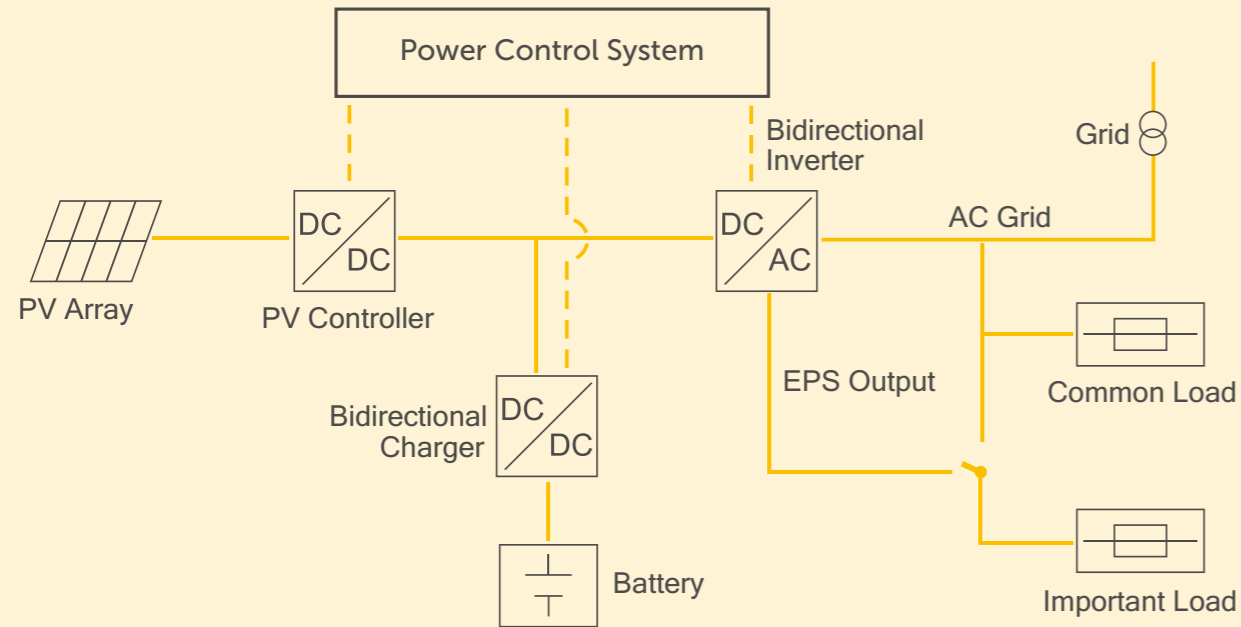


HYBRID WORKING THEORY

X-Hybrid Self-use Energy Storage System converts DC electricity generated by solar panels to AC electricity for grid and load to DC for the battery.

The electricity will be provided for load first, and the excessive electricity will be stored in the battery,

after the battery is fully charged, the electricity will be fed into the grid. Once the power goes down, the inverter will activate the Emergency Power Supply (EPS) to ensure the energy from the panels and batteries can be used to power the home.



X-HYBRID ADVANTAGES

COMPARED TO TRADITIONAL GRID-TIED SOLAR SYSTEM

- Save money on your power bills by increasing the proportion of self-use electricity generated by your solar system from 30% to more than 80%.
- Save money by becoming independent from ever increasing energy prices.
- Reduce stress on the grid by reducing your solar power feed.
- Manage property consumption and generation remotely via built-in WIFI monitoring solution.

COMPARED TO OTHER BRANDS

- Reliable**
 - European and American and Japanese made key components.
- Efficient**
 - Highly effective solar power utilisation and long battery life by intelligent designed charging module.
- User-friendly**
 - Intelligent man-machine interaction mode.

X-Hybrid Ready Inverter (City Solution)

Model	SK-TL3000C	SK-TL3700C	SK-TL5000C
► Input (DC)			
Max. recommended DC power [W]	3300	4000	5000
Max. DC voltage [V]	550		
Nominal DC operating voltage [V]	360		
MPPT voltage range [V]	125-530		
Max. input current [A]	12	12/12	12/12
Max. short circuit current [A]	15	15/15	15/15
No. of MPP trackers	1	2	2
Strings per MPP tracker	1	1	1
► Output (AC)			
Nominal AC power [W]	3000	3680	4600
Nominal AC voltage, range [V]; Frequency [Hz]	230, 180~270; 50/60		
Nominal AC current [A]	13	16	20
Max. AC current [A]	14.4	16	22.1
Total harmonic distortion (THD)	<3%		
Power factor (rated power)	1		
Displacement power factor	0.9leading to 0.9lagging		
► Efficiency			
MPPT efficiency	99.9%	99.9%	99.9%
Euro-efficiency	97.0%	97.0%	97.0%
Max. efficiency	97.6%	97.6%	97.6%
Standby losses [W]	<7		
► Display			
LCD	Backlight 16*4 character		
Communication interfaces	Ethernet/Dry contact /WIFI		
LED light	4		
Button	4		
► Others			
DC switch	Optional		
Max. No. of supported external charger	1		
Operating temperature range [°C]	-10~+50 (derating at 40)		
Storage stability range [°C]	-20~+60		
Altitude [m]	<2000		
Cooling concept	Forced airflow		
Noise emission (typical) [dB]	<40		
Humidity [%]	0~95 (non-condensing)		
Protection class	IP20 (for indoor use)		
Overvoltage category	III (electric supply side), II (PV side)		
EMC standard	IEC61000-6-1/2/3/4		
Topology	Transformer-less		
Warranty	Standard 5 years		
Dimensions (W / H / D) [mm]	490 x 595 x 167		
Weight [kg]	21.5		
Certificate	Germany, Australia,Belgium, Netherlands, Denmark, Austria,UK,Italy		

X-Hybrid Ready Inverter (Emergency Power Supply)

Model	SK-TL3000E	SK-TL3700E	SK-TL5000E
► EPS with external charger (support 25A/50A/100A charger)			
EPS rated power [VA]	1000/2000/3000	1000/2000/3680	1000/2000/4000
EPS rated voltage [V], Frequency [Hz]	230, 50/60		
EPS rated current [A]	4.5/9/13	4.5/9/16	4.5/9/17
EPS peak power [VA]	1.5xPrated, 10s	1.5xPrated, 10s	1.5xPrated, 10s
Total harmonic distortion (THD)	<3%		
Swtich time [S]	<5		



POWER

WHEN YOU NEED IT.

X-Hybrid Inverter (City Solution) (Continued)

Model	SK-SU3000C	SK-SU3700C	SK-SU5000C
► Battery Charger (Inside)			
Compatible battery type	Lead-acid battery/lithium battery		
Nominal battery voltage [V]	48		
Battery voltage range [V]	40-60		
Max. charging current [A]	50 (adjustable)		
Charging curve	3-stage adaptive with maintenance		
Over-current protection/Over-temperature protection	YES		
Communication interfaces	Can/RS232		
► Charge			
Max. power [W]	2500		
Max. charge current [A]	50		
► Discharge			
Max. power [W]	2500		
Max. discharge current [A]	50		
Depth of discharge	80% for lithium battery (adjustable) 50% for lead-acid battery		
► Efficiency			
MPPT efficiency	99.9%	99.9%	99.9%
Euro-efficiency	97.0%	97.0%	97.0%
Max. efficiency	97.6%	97.6%	97.6%
Standby losses [W]	<7		
► Others			
DC switch	Optional		
Max. No. of supported external charger	0		
Operating temperature range [°C]	-10~+50 (derating at 40)		
Storage stability range [°C]	-20~+60		
Altitude [m]	<2000		
Cooling concept	Forced airflow		
Noise emission (typical) [dB]	<40		
Humidity [%]	0~95 (non-condensing)		
Protection class	IP20 (for indoor use)		
Overvoltage category	III (electric supply side), II (PV side)		
EMC standard	IEC61000-6-1/2/3/4		
Topology	Transformer-less		
Warranty	Standard 5 years		
Dimensions (W / H / D) [mm]	680 x 595 x 167		
Weight [kg]	27.7		
Certificate	Germany, Australia, Belgium, Netherlands, Denmark, Austria, UK, Italy		

X-Hybrid Inverter (Emergency Power Supply)

Model	SK-SU3000E	SK-SU3700E	SK-SU5000E
► EPS with internal charger			
EPS rated power [VA]	2000	2000	2000
EPS rated voltage [V], Frequency [Hz]	230, 50/60		
EPS rated current [A]	9	9	9
EPS peak power [VA]	1.5xPrated, 10s	1.5xPrated, 10s	1.5xPrated, 10s
Total harmonic distortion (THD)	<3%		
Switich time [S]	<5		

X-Hybrid Inverter (City Solution)

Model	SK-SU3000C	SK-SU3700C	SK-SU5000C
► Input (DC)			
Max. recommended DC power [W]	3300	4000	5000
Max. DC voltage [V]	550		
Norminal DC operating voltage [V]	360		
MPPT voltage range [V]	125-530		
Max. input current [A]	12	12/12	12/12
Max. short circuit current [A]	15	15/15	15/15
No. of MPP trackers	1	2	2
Strings per MPP tracker	1	1	1
► Output (AC)			
Nominal AC power [W]	3000	3680	4600
Nominal AC voltage, range [V]; Frequency [Hz]	230, 180~270; 50/60		
Nominal AC current [A]	13	16	20
Max. AC current [A]	14.4	16	22.1
Total harmonic distortion (THD)	<3%		
Power factor (Rated Power)	1		
Displacement power factor	0.9leading to 0.9lagging		
► Display			
Communication interfaces	Backlight 16*4 character		
LED light	Ethernet/Dry contact /WIFI		
Button	4		
LCD	4		

Table continued overleaf



SOLAX SOLAR CHARGER

SK-BMU1300 / 2500 / 5000

The SolaX battery manager can be used with SK-TL series inverter for extending the battery capability of self use. Three options give more flexibility when build up your own energy storage system.



SK-BMU1300/2500

SK-BMU5000

X-Hybrid Battery Manager Unit

Model	SK-BMU1300	SK-BMU2500	SK-BMU5000
► Battery Manager			
Battery type	Lead-acid battery/lithium battery		
Battery nominal voltage [V]	48		
Battery voltage range [V]	40-60		
Battery capacity [KWh] (Suggested)	4.8	10	20
Max. charging current [A]	25	50	100
Charging curve	3-stage adaptive with maintenance		
Over-current protection/Over-temperature protection	Yes	Yes	Yes
Communication interfacess	Can/RS232	Can/RS232	Can/RS232
► Charge			
Max. power [W]	1300	2500	4600
Max. charge current [A]	25	50	100
► Discharge			
Max. power [W]	1300	2500	4600
Max. discharge current [A]	25	50	100
Depth of discharge	80% for lithium battery (adjustable) 50% for lead-acid battery		
► Others			
Operating temperature range [°C]	-10~+50 (derating at 40)		
Storage stability range [°C]	-20~+60		
Altitude [m]	<2000		
Cooling concept	Forced airflow		
Noise emission (typical) [dB]	<40		
Humidity [%]	0~95 (non-condensing)		
Protection class	IP20 (for indoor use)		
EMC standard	IEC61000-6-1/2/3/4		
Warranty	Standard 5 years		
Dimensions (W / H / D) [mm]	289 x 595 x 167	460 x 595 x 167	
Weight [kg]	15.7	19	
Certificate	Germany, Australia,Belgium, Netherlands, Danmark, Austria, UK,Italy		
Battery reverse polarity protection	Yes		
Battery anti-shock design	Yes		



X-MONITORING SYSTEM

X-MONITORING SYSTEM

THEY CAN TALK!



- Special designed for energy storage system
- Multilingual: English, German, Chinese and Italian
- Easy data reading with vivid charts and graphs



- Daily/weekly/monthly report send to designated email address
- Batch inverters monitoring for installers and distributors
- 24 hours monitoring for Windows/Android/Apple devices



COMMON FEATURES FOR ALL MONITORING SYSTEMS

- Remote monitoring via SolaX Portal
- A variety of communication methods available, including Ethernet, WiFi, and 3G
- Quick installation and easy operation with "Plug & Play" function
- Storage of over 25 years
- Graphical display of PV system data on SolaX Portal
- Operational failures can be detected rapidly and transmitted via email
- Report of collected data and performance can be sent via email regularly free standard access to SolaX Portal for the entire service life of the PV system

ZDNY-WE01-D

How it works

1. You install the X app onto your mobile devices.
2. Operating within a 50 meter radius, the X app will then search and connect to the X inverter.
3. Once connected you can then easily monitor the inverter data via our X app and your mobile device.

	ZDNY-WE01-D
► General	
Max. number of inverters	1-64
Inverter communication	RS485/422/232
Remote communication	WiFi(802.11b/g/n)/Ethernet
Max. communication range	<1km
Data collection intervals	5 minutes(Default)/1-15 minutes(Optional)
Memory	SD Card/EEPROM(Optional)

WE MAKE IT SIMPLE



ZDNY-WE01	
► General	
Max. number of inverters	1-64
Inverter communication	RS485/422/232
Remote communication	WIFI(802.11b/g/n)/Ethernet
Max. communication range	<1km
Data collection intervals	5 minutes(Default)/1-15 minutes(Optional)
Memory	SD Card/EEPROM(Optional)

* Xcloud is the brand name for our SolaX Server

ZDNY-WE01

How it works

1. Our inverters upload operational data to the Xcloud* via WIFI.
2. Xcloud collects and processes those data every 5 minutes.
3. You can then monitor the data by simply logging into a registered account via your PC, iPhone or Android device.

NO WIFI @ HOME? WE STILL HAVE 3G!



ZDNY-G01	
► General	
Max. number of inverters	1-64
Inverter communication	RS485/422/232
Remote communication	3G
Max. communication range	<1km
Data collection intervals	5 minutes(Default)/1-15 minutes(Optional)
Memory	SD Card/EEPROM(Optional)

* Xcloud is the brand name for our SolaX Server

ZDNY-G01

How it works

1. Our inverters upload operational data to Xcloud via a built-in 3G SIM card.
2. Xcloud collects and processes those data every 5 minutes.
3. You can then monitor the data by simply logging into a registered account via your PC, iPhone or Android device.



PRODUCT CERTIFICATES



Certificates Module	CE		Australia		UK		Germany		Greece	Belgium	France	Netherlands	Czech	Danmark	Slovenia	Bulgaria	Spain	Austria	China	Italy
	LVD	EMC	SAA	G83	G59	VDE0126	VDE4105	VDE0126	C10/11	UTE-15712	EN50438	EN50438	EN50438	EN50438	VDE0126	RD1699	OVE/ONORME 8001-4-712	CQC	CEI-021	
SL-TL1500	✓	✓	✓	✓		✓		✓	✓	✓	✓	✓	✓							
SL-TL2200	✓	✓	✓	✓		✓		✓	✓	✓	✓	✓	✓							
SL-TL2500										✓										
SL-TL2800	✓	✓	✓	✓		✓		✓	✓	✓	✓	✓	✓							
SL-TL3000	✓	✓	✓	✓		✓		✓	✓	✓	✓	✓	✓							
SL-TL3300T	✓	✓	✓	✓		✓		✓	✓	✓	✓	✓	✓							
SL-TL3600T	✓	✓		✓		✓		✓	✓	✓	✓	✓	✓							
SL-TL4400T	✓	✓	✓	✓	✓	✓		✓	✓	✓	✓	✓	✓							
SL-TL5000T	✓	✓	✓	✓	✓	✓		✓	✓	✓	✓	✓	✓							
L1-LX2200	✓	✓	✓			✓	✓													
L1-LX3300	✓	✓	✓			✓	✓													
L1-LX3600	✓	✓	✓			✓	✓													
L1-LX4600	✓	✓	✓			✓	✓													
L1-LX5200	✓	✓	✓			✓	✓													
ZDNY-TL10000	✓	✓	✓		✓	✓	✓	✓	✓	✓	✓	✓	✓	✓	✓	✓	✓			✓
ZDNY-TL12000	✓	✓	✓		✓	✓	✓	✓	✓	✓	✓	✓	✓	✓	✓	✓	✓			✓
ZDNY-TL15000	✓	✓	✓		✓	✓	✓	✓	✓	✓	✓	✓	✓	✓	✓	✓	✓			✓
ZDNY-TL17000	✓	✓	✓		✓	✓	✓	✓	✓	✓	✓	✓	✓	✓	✓	✓	✓			✓
ZDNY-TL20000	✓	✓	✓		✓	✓	✓													✓
SK-TL3000	✓	✓	✓	✓		✓					✓			✓				✓		
SK-TL3700	✓	✓	✓	✓		✓					✓			✓				✓		
SK-TL5000	✓	✓	✓			✓					✓			✓				✓		
SK-SU3000	✓	✓	✓	✓		✓					✓			✓				✓		
SK-SU3700	✓	✓	✓	✓		✓					✓			✓				✓		
SK-SU5000	✓	✓	✓	✓	✓	✓					✓			✓				✓		
SK-TL3000E/C/R	✓	✓	✓	✓		✓					✓			✓				✓		✓
SK-TL3700E/C/R	✓	✓	✓	✓		✓					✓			✓				✓		✓
SK-TL5000E/C/R	✓	✓	✓	✓	✓	✓					✓			✓				✓		✓
SK-SU3000E/C	✓	✓	✓	✓		✓					✓			✓				✓		✓
SK-SU3700E/C	✓	✓	✓	✓		✓					✓			✓				✓		✓
SK-SU5000E/C	✓	✓	✓	✓		✓					✓			✓				✓		✓
SK-BMU1300	✓	✓	✓	✓	✓	✓					✓			✓				✓		✓
SK-BMU2500	✓	✓	✓	✓		✓					✓			✓				✓		✓
SK-BMU5000	✓	✓	✓	✓		✓					✓			✓				✓		✓



AT SOLAX
WE ARE CREATING THE INVERTERS
OF TOMORROW